

DYNAPAC

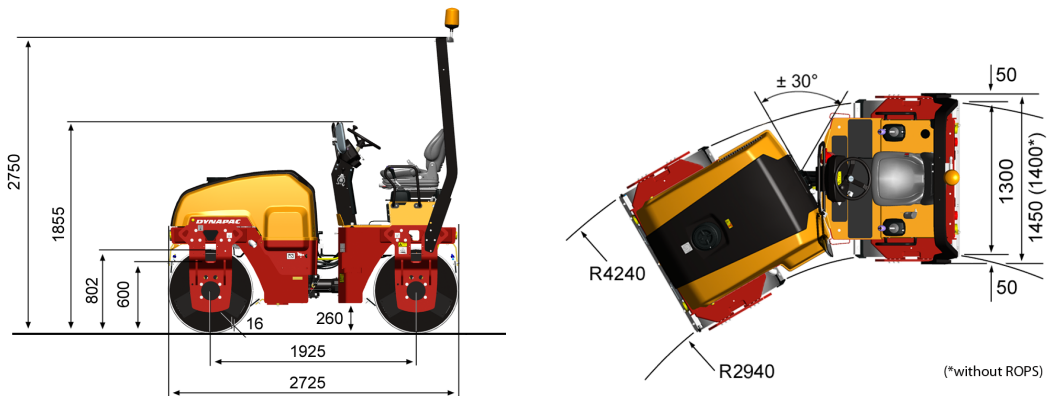
Part of the Atlas Copco Group

CC1300

Double drum vibratory rollers



Technical data



Masses	CC1300
Max. operating mass	4,030 kg
Operating mass (incl. ROPS)	3,900 kg
Module mass (front/ rear)	1,900/ 2,000 kg
Traction	
Speed range	0-10 km/ h
Vertical oscillation	±10°
Theor. gradeability	41 %
Compaction	
Centrifugal force	33 kN
Nominal amplitude	0.5 mm
Static linear load (front/ rear)	14.5/ 15.4 kg/ cm
Vibration frequency	52 Hz
Water tank	200 l
Engine	
Manufacturer/ Model	Kubota V2203- M
Type	Water cooled
Rated power, SAE J1995	33 kW (44 hp) @ 2,600 rpm
Fuel tank capacity	50 l
Hydraulic system	
Driving	Axial piston pump with variable displacement. Radial piston motors (2) with constant displacement.
Vibration	Gear pump/ motors with constant displacement.
Steering	Gear pump with constant displacement.
Service brake	Hydrostatic in forward and reverse lever.
Parking/ Emergency brake	Failsafe multidisc brake in both drums.

Find your local dealer at www.dynapac.com

We reserve the right to change specifications without notice. Photos and illustrations do not always show standard versions of machines.
The above information is a general description only, all informations are supplied without liability.